

NSL SERIES LADDER



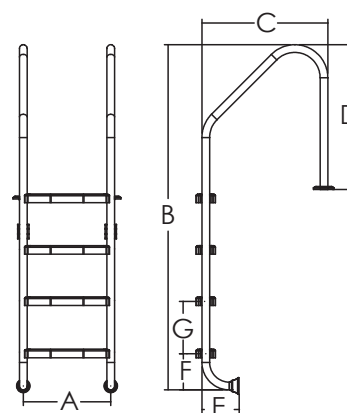
Handrails in polished stainless steel 304 or 316 (Φ 42mm) tube. Step available in stainless steel and plastic. Complete with anchoring fixtures or flange fixtures.

Anchor Type Stainless Steel Step

Code (AISI-304)	Code (AISI-316)	Model	A mm	B mm	C mm	D mm	E mm	F mm	G mm
88072601	88072606	NSL215-S	493	1320	686	788	190	200	250
88072602	88072607	NSL315-S	493	1570	686	788	190	200	250
88072603	88072608	NSL415-S	493	1820	686	788	190	200	250
88072604	88072609	NSL515-S	493	2070	686	788	190	200	250
88072613	88072616	NSL815-S	493	2830	692	699	190	200	250



NSL815



Anchor Type Stainless Steel Step (anti-slippery pad)

Code (AISI-304)	Code (AISI-316)	Model	A mm	B mm	C mm	D mm	E mm	F mm	G mm
88076501	88076506	NSL215-SR	493	1320	686	788	190	200	250
88076502	88076507	NSL315-SR	493	1570	686	788	190	200	250
88076503	88076508	NSL415-SR	493	1820	686	788	190	200	250
88076504	88076509	NSL515-SR	493	2070	686	788	190	200	250
88076513	88076516	NSL815-SR	493	2830	692	699	190	200	250



Stainless Steel Step

Anchor Type Plastic Step

Code (AISI-304)	Code (AISI-316)	Model	A mm	B mm	C mm	D mm	E mm	F mm	G mm
88072701	88072706	NSL215-P	476	1320	686	788	190	200	250
88072702	88072707	NSL315-P	476	1570	686	788	190	200	250
88072703	88072708	NSL415-P	476	1820	686	788	190	200	250
88072704	88072709	NSL515-P	476	2070	686	788	190	200	250
88072713	88072716	NSL815-P	476	2830	692	699	190	200	250



Stainless Steel Step (anti-slippery pad)



Anchor Type



Ancillary Shoring



Plastic Step