

FICHA TÉCNICA

**CALENTADOR
ELÉCTRICO
C-SPA 9KW**



EMAUX P50 Plastic Spa Light

Description

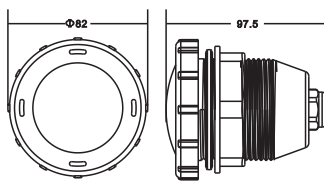
The EMAUX Plastic Spa Light is durable, easily installed underwater light for pool and spa. Especially designed for pool and spas, it provides breathtaking color at the flip of a switch. It is a must for nighttime pool safety and enjoyment. It can also enhance your pool and spa's beauty and help create an inviting backyard environment after the sun goes down.

Unpacking

When unpacking the unit, inspect carefully for any damage that may have occurred during transit. Check for missing accessories or damaged parts. Transit damage claims should be made to the shipping company.

Specifications

(For Plastic Spa Light only)
Model: 88041101, 88040101



⚠ DANGER

RISK OF ELECTRICAL SHOCK OR ELECTROCUTION

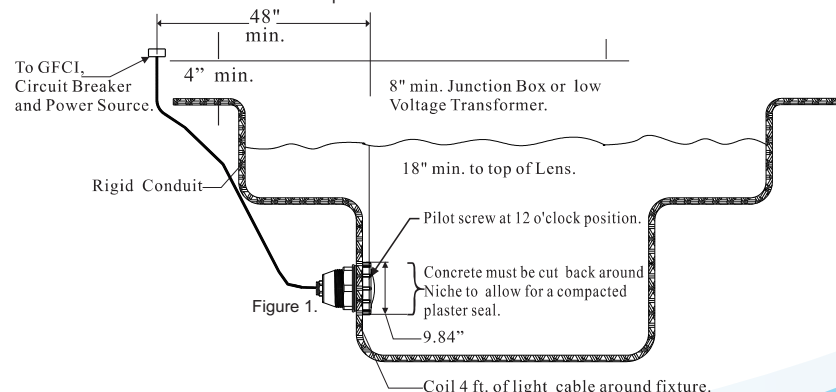
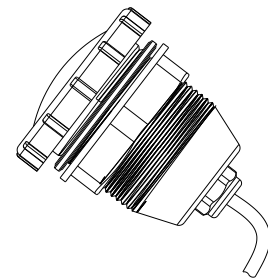
This underwater light fixture must be installed by a licensed or certified electrician or a qualified serviceman in accordance to the requirements of your government standard or local authorities. Improper installation will create electric hazards which could result in serious injury, death as well as damage to the property. Before servicing the light, disconnect the power supply from the circuit breaker. Failure to do so could result in serious injury, death or damage to the property.

INSTALLATION

(For vinyl and fiberglass swimming pool only)

A. Preparatory steps

- 1) Ensure that the electrical system and its wiring for the pool conform to the requirements of your government or your local authorities. The installation of the Underwater Light should only be performed by a licensed electrician.
- 2) The junction box, or the low voltage transformer for 12 volt Underwater Light model is to be located at least 120CM from the edge of the pool, see Figure 1.
- 3) The light fixture and all metal parts that are within 240CM of the pool must be properly protected with non-ductile materials and that the connections must be waterproof.
- 4) The mounting bracket must be properly installed so that the top edge of the Underwater Light lens is at least 45CM below the surface of the water in the pool, see Figure 1.
- 5) Consult the local Government Building Department to be certain that the pool's electrical system meets all applicable requirements.
- 6) The underwater light should be installed on a flat and rigid surface.



EMAUX P50 Plastic Spa Light

B) INSTALLATION

- 1) Punch or drill a hole (Diameter = 62mm) in the desired location on the pool wall, see Figure 1. Be sure the top of the hole be at least 18 inches below the water level.
- 2) Put a O-ring on the pool wall and then feed the cord through the hole.
- 3) Use the nut provided to fix the underwater light on the pool wall, as shown in Figure 2.

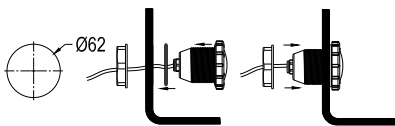


Figure 2.

- 4) Feed cord to junction box, strip 6 inches of the outer cord jacket to expose the insulation wires and make the wire connection to the junction box.
- 5) Secure the junction box cover in place.
- 6) Before operating the light

for more than 10 seconds, fill the pool with water until the underwater light is completely submerged in water. To check for proper operation, turn on main switch or circuit breaker as well as the switch that operates the underwater light itself.

⚠ WARNING

- A) Never operate this Underwater Light for more than 10 seconds unless it is totally submerged in water. Without total submersion, the light assembly will get extremely hot, which may result in serious injury to pool users, installers, or damage to property.
- B) Be sure power is off before installing or removing lamp. Allow lamp to cool before relamping. This light fixture uses a Halogen Quartz lamp. Do Not touch lamp with bare hand, this may severely reduce its life. Use the plastic furnished with the replacement lamp to eliminate finger prints from getting on lamp.

Repair Parts list for Plastic Spa Light

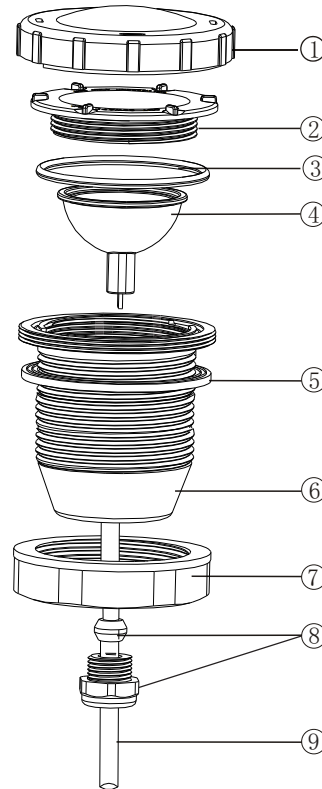


Figure 3 – Repair Parts Illustration for Plastic Spa Light

Repair Parts list for Plastic Spa Light

Key No.	Part No.	Description	Qty
1*	01221001	P50 Light Colour Lens (Red+Green+Blue)	1
1*	01221001C	UL-P50 Light Colour Lens (Clear)	1
2	01041019	Inside Covers for P50 Lights	1
3	02021010	O-Ring	1
4	04011001	Halogen lamp MR16 AC 12V/20W for UL-P50	1
4	04011016	LED-P50 lamp 12V/1W (Automatic Colour-Changing)	1
4	04011015	LED-P50 lamp 12V/1W (White Colour Only)	1
5	02021000	O-ring for Encasing	2
6	89041101	P50 Lights Encasing Set	1
7	01021007	Nut	1
8	89041102	Connector with Gasket for Cable	1
9	04013001	Lights Cable 1.5M for P50	1

Notes: 1* 01221001 is UL-P50 Light Colour Len 1 set with (Red+Greee+Blue) or
1* 01221001C is UL-P50 Light Colour Len with (Clear)