

QUIET-RUNNING

BATHTUB WHIRLPOOL PUMPS

Applications:
Compact hydromassage units



BTP

Single-stage centrifugal pumps with complete drainage device.

Materials:

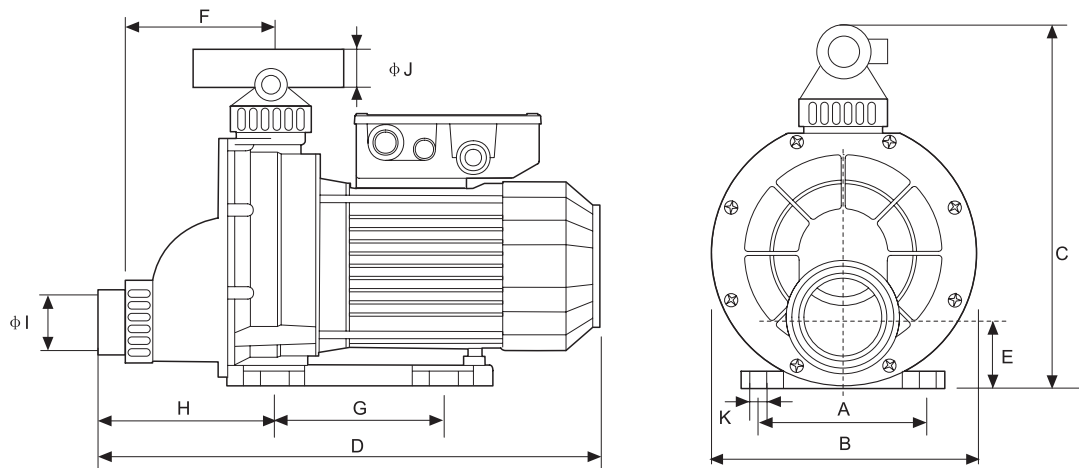
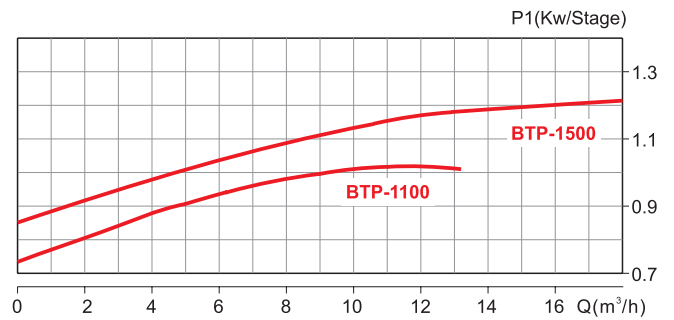
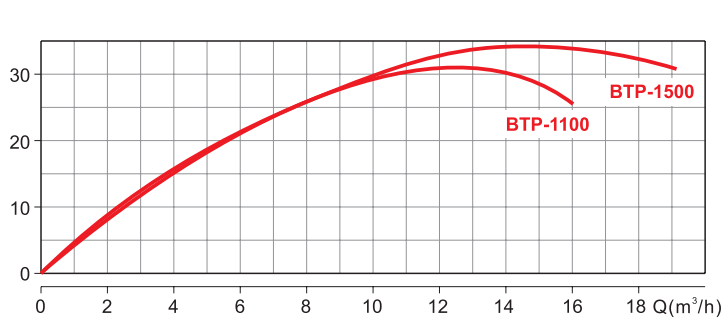
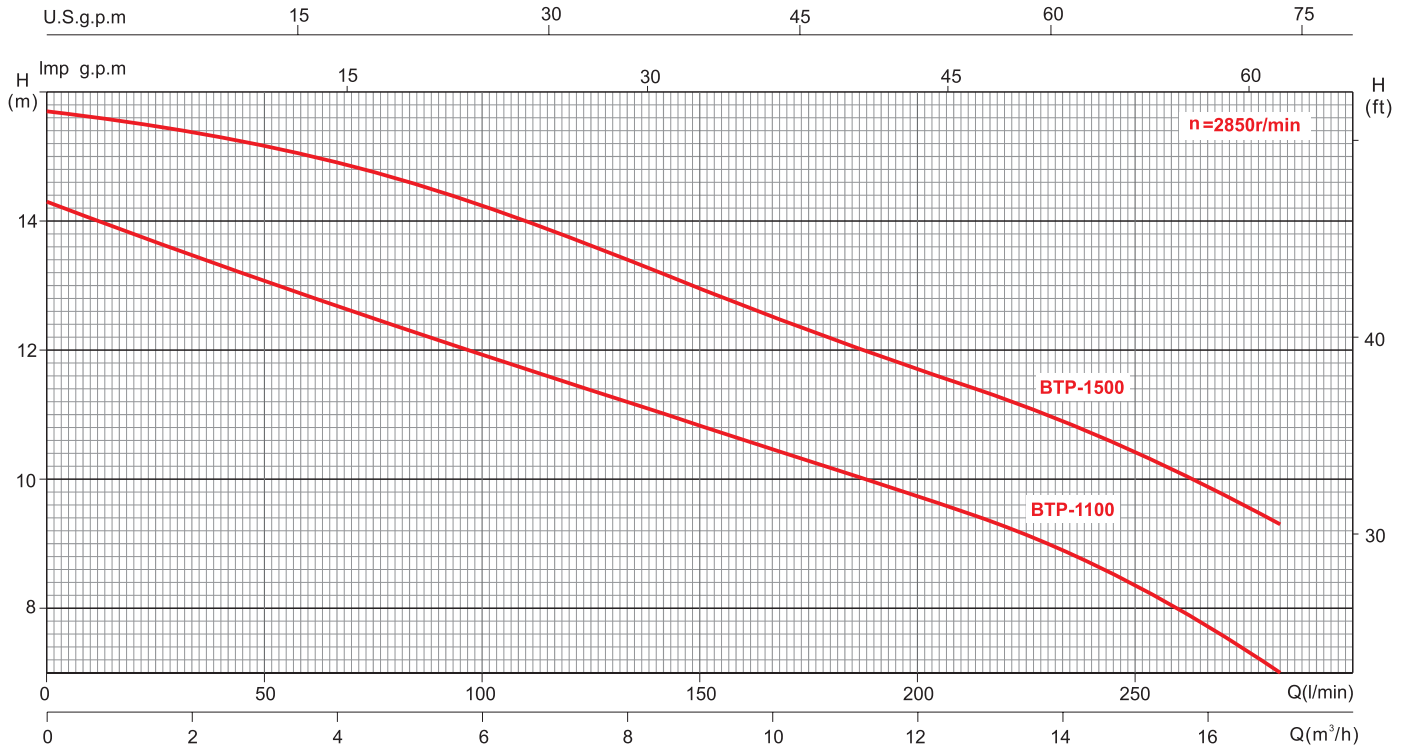
Suction and discharge mountings and motor mountings in polypropilen.
Motor shaft in stainless steel AISI-420.
Impeller in Noryl®.
Mechanical seal in graphite and alumina.
Motor housing in aluminium L-2521.
Windings impregnated with epoxy resin.

Motor:

Asynchronous, two poles.
IP 55 protection.
Class F insulation.
Continuous operation.
Built-in thermal protection.

TECHNICAL DATA

Model	KW	V		A		P1(KW)		Q	L/min m³/h	0	83	133	183	233	283	333
		1~	3~	1~	3~	1~	3~			0	5	8	11	14	17	20
		50HZ	50HZ	220	380	1.4				14.5	12.3	11.2	10.1	8.9	7.0	
BTP-1100	1.1	220		6.2		1.4		H(m)		14.5	12.3	11.2	10.1	8.9	7.0	
BTP-1500	1.5	220		7.4		1.8			15.7	14.8	13.0	12.1	10.9	9.3	7.5	



DIMENSIONS

	A	B	C	D	E	F	G	H	I	J	K	Kg
BTP-1100	124	187	280	427	50	157	120	167	φ50	φ32	4-φ9	9.1
BTP-1500	124	187	280	427	50	157	120	167	φ50	φ32	4-φ9	10